

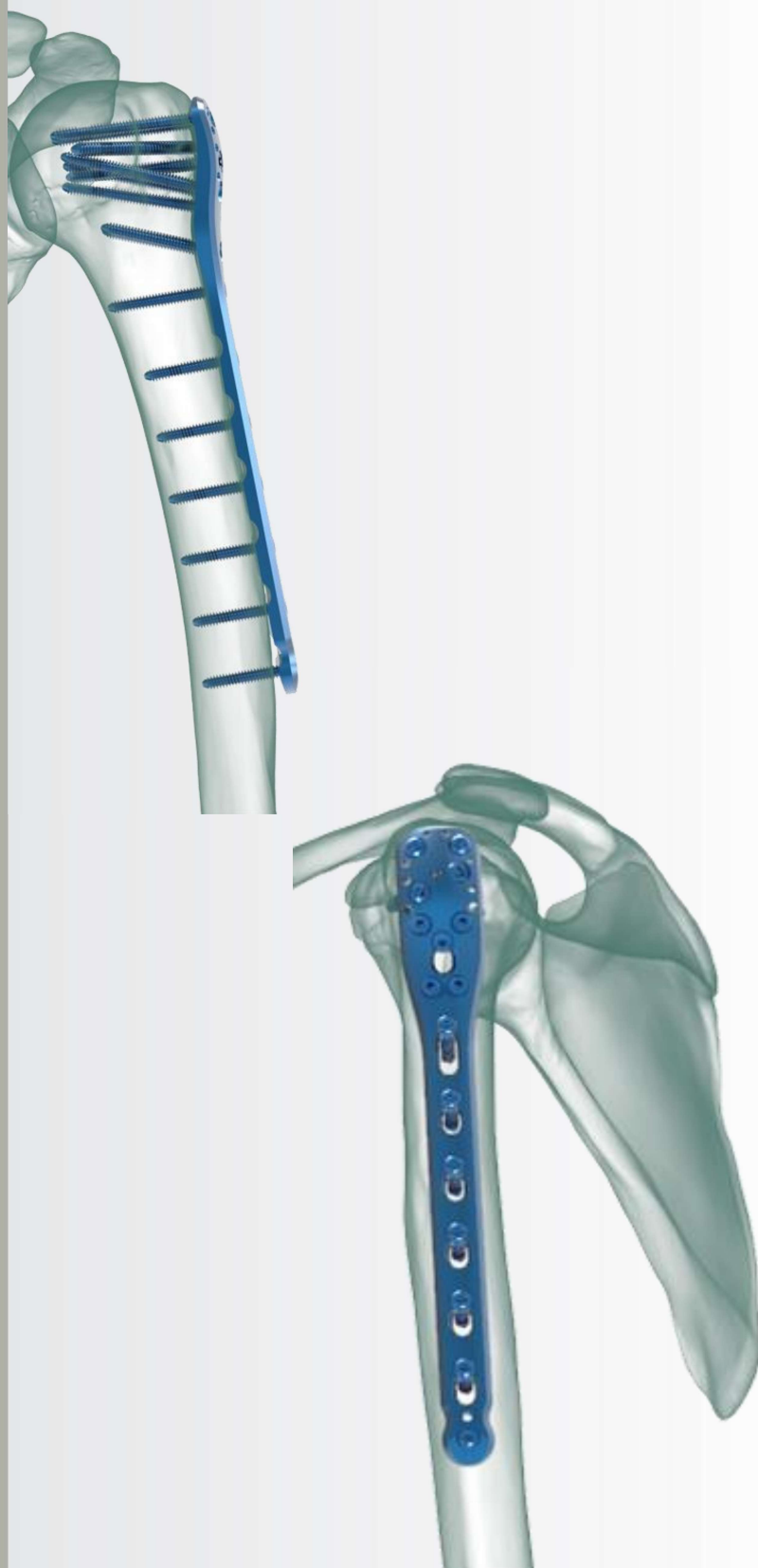
Shoulder >> TRUE LOCK Proximal Humerus Plate

TRUE LOCK Proximal Humerus Plates are indicated for fractures and fracture dislocations, osteotomies, and nonunions of the proximal humerus, particularly for patients with osteopenic bone.

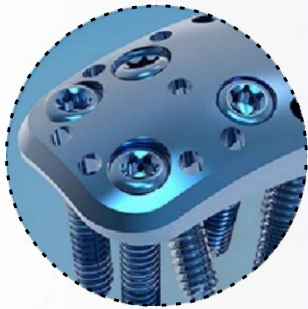
Proximal humerus fractures are % 4- 5 of all fracture types.

12 hole option between 3- 14.

TRUE LOCK Proximal Humerus Plates are made of Ti6Al4V ELI material (ASTM F136).



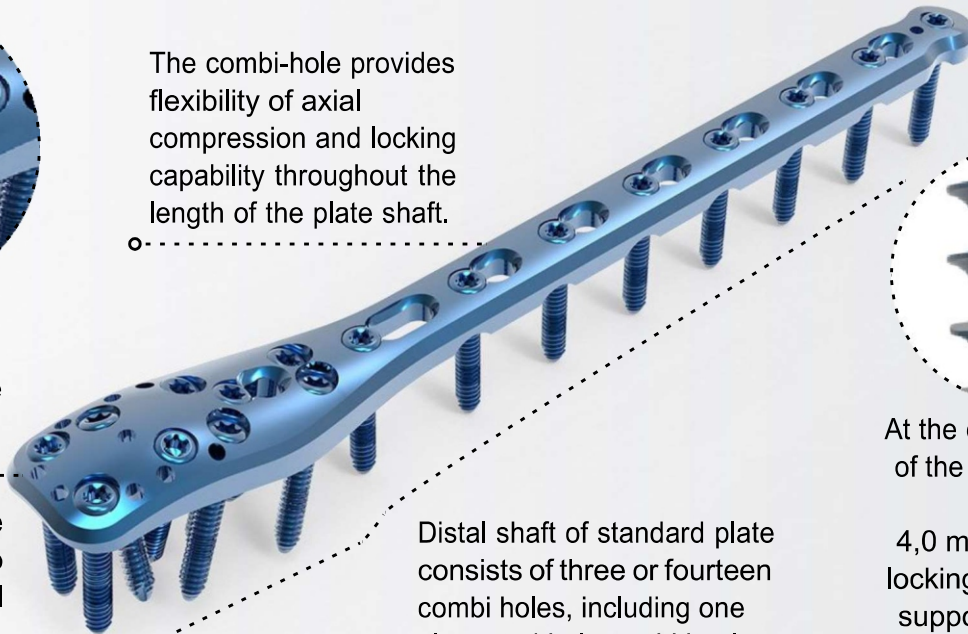
TRUE LOCK Proximal Humerus Plate Features



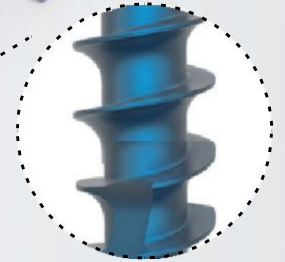
Suture holes around the perimeter of the proximal end

Permit multiple points of fixation to support the humeral head.

The combi-hole provides flexibility of axial compression and locking capability throughout the length of the plate shaft.



Distal shaft of standard plate consists of three or fourteen combi holes, including one elongated hole to aid in plate positioning.



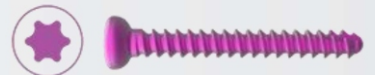
At the cancellous part of the bone near the joint, 4,0 mm cancellous locking screw option supports plate and screw fit well; prevents it from pull out .



TRUE LOCK Proximal Humerus Plate Screws Info

Reference Number:	Hole Count:	Length (mm)
201-10070-003	3 hole	90
201-10070-004	4 hole	105
201-10070-005	5 hole	120
201-10070-006	6 hole	135
201-10070-007	7 hole	150
201-10070-008	8 hole	170
201-10070-009	9 hole	185
201-10070-010	10 hole	200
201-10070-011	11 hole	215
201-10070-012	12 hole	230
201-10070-013	13 hole	245
201-10070-014	14 hole	260

2.7 mm Non-Locking Cortical Screw



2.7 mm Locking Cortical Screw



3.5 mm Non-Locking Cortical Screw



3.5 mm Locking Cortical Screw



4 mm Non-Locking Cancellous Screw



4 mm Locking Cancellous Screw



4 mm Locking Cannulated Cancellous Screw

